

# 135-160

## Alto®

Elongated Front, Vitreous China, Two-Piece Toilet



### Features

- 3 bolt tank-to-bowl connection
- 1.6 gpf / 6.0 lpf low water consumption
- Elongated front bowl
- 2" flush tower
- Anti-siphon ballcock
- Model 40 chrome plated plastic trip lever
- 2" glazed trapway
- The Mansfield® limited lifetime warranty
- Available in White, Standard Colors: Biscuit, Bone




Elongated Front



Model 135-160  
Toilet seat not included

### Components

| Model #  | Description   | Codes/Standards   |
|----------|---|---|
| 135-160  | Elongated front, two-piece toilet. Less toilet seat and supply. Specify color.                      |  |
| 135      | Elongated front, toilet bowl only. Less toilet seat. Specify color.                                 |   |
| 160      | Tank and cover only, with left hand, chrome plated, plastic trip lever. Less supply. Specify color. |   |
| 125      | Same as model 160, with 14" rough-in  |   |
| 160RH    | Same as model 160, with right hand trip lever   |   |
| 161      | Same as model 160, with Fluidmaster™ 400A ballcock  |   |
| 165      | Same as model 160, with cover lock  |   |
| 170      | Same as model 160, with tank liner  |   |
| 171      | Same as model 160, with Fluidmaster™ 400A ballcock and tank liner                                   |   |
| 172      | Same as model 160, with pilot valve and 2" flapper and chrome lever                                 |   |
| 172RH    | Same as above with right hand trip lever  |   |
| 173      | Same as model 160, with pilot valve and 2" flapper and color match lever                            |   |
| 173RH    | Same as above with right hand trip lever  |   |
| 173FM    | Same as 173, with Fluidmaster™  |   |
| 173FM RH | Same as 173, with Fluidmaster™ & right hand trip lever  |   |
| 174      | Same as model 173 with tank liner   |   |
| 175      | Same as model 160, with cover lock and tank liner   |   |
| 180      | Same as model 160, with color-match trip lever  |   |
| 181      | Same as model 160, with Fluidmaster™ 400A ballcock and color-match trip lever                       |   |
| 190      | Same as model 160, with color-match trip lever and tank liner                                       |   |

MADE IN USA



# 135-160

## Alto®

Elongated Front, Vitreous China, Two-Piece Toilet

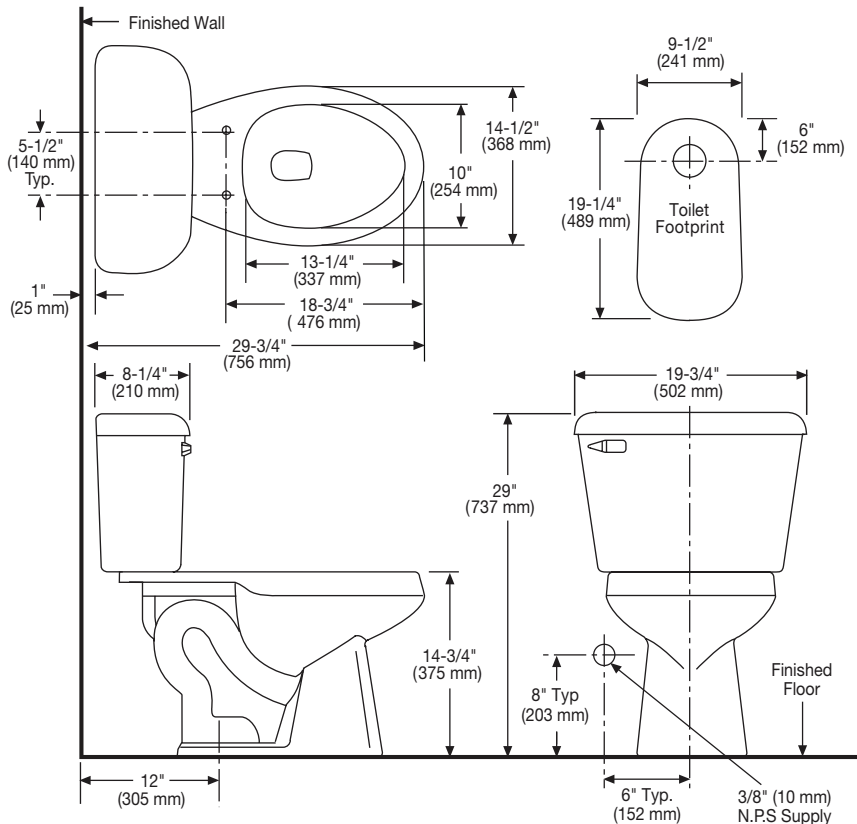


### Specifications

| Model # | Description  | Codes/Standards   |
|---------|--|---|
| 135-160 | Elongated front (1.6 gpf/6.0 lpf) two-piece toilet |  |

| Specification        | Description                     | Specification   | Description   |
|----------------------|---------------------------------|-----------------|---|
| Material             | Vitreous China                  | Trap Diameter   | 2"  |
| Water Pressure Range | 20 to 80 PSI                    | Trap Seal       | 2-5/8"  |
| Flush System         | SmartFlush™ Flushing Technology | Rough-in        | 12"   |
| Water Usage          | 1.6 gpf / 6.0 lpf               | Shipping Weight | Model 135 - 50 lbs. (22.6 kg)                                     |
| Water Surface Area   | 9" X 10"                        |                 | Model 160 - 34.1 lbs. (15.4 kg)                                   |
| MaP Rating           | 800 grams                       | Warranty        | Vitreous China - Limited Lifetime<br>Tank Trim - Limited One Year |

### Technical Information



See our complete line of acrylic and vitreous china bathroom fixtures, plastic tank trim and plumbing products.

These dimensions are nominal and subject to change without notice.

Fixture performance and specifications meet or exceed ASME A112.19.2-2008/CSA B45.1-08 standards, and other state and local codes.



**MADE IN USA**