



Submittal

Project Name:	The Civic
Project Number:	14-016
Submittal Number:	11450-04-00
Description:	WMH31017AS Whirlpool Microwave
Sent Date:	9/17/2015

Lingo Construction Services
 123 NW 8th Street
 Oklahoma City, Oklahoma 73102



NO EXCEPTIONS TAKEN REVISE AND RESUBMIT
 APPROVED AS NOTED OTHER

APPROVAL IS FOR DESIGN INTENT ONLY, SUBCONTRACTOR IS RESPONSIBLE FOR DIMENSIONS, QUANTITIES AND COORDINATION WITH OTHER TRADES. APPROVAL IS SUBJECT TO ALL CONTRACT REQUIREMENTS AND DOES NOT AUTHORIZE ANY CHANGES INVOLVING ADDITIONAL COST UNLESS STATED IN AN APPROVED SEPARATE DOCUMENT OR CHANGE ORDER.

Kenneth Allman 09/17/2015
 CHECKED BY DATE

Butzer Architects and Urbanism
 718 W. Sheridan Ave.
 Oklahoma City, Oklahoma 73102

Engineer of Record



1.7 cu. ft. Over the Range Microwave with Hidden Vent



4.6

Creating and cleaning up after all your favorite dishes is easy with the 1.7 cu. ft. over the range microwave. With up to 1,000 watts of cooking power, you'll have the flexibility you need to prepare all types of food. A hidden vent on this microwave with hood creates a streamlined appearance that's easy to wipe clean. Plus, you can easily match the amount of ventilation you need to the dish being prepared with two variable fan-speed settings available on your over the range microwave.

AVAILABLE COLOR OPTIONS



Black-On-Stainless - WMH31017AS

FEATURES

Top Features

Hidden Vent

The hidden vent streamlines the appearance of the microwave exterior, making it simpler to wipe clean.

1.7 cu. ft. Capacity

Heat up leftovers with ease in this 1.7 cu. ft. capacity microwave hood combination. You'll have the room you need for frequently used items like dinner plates and microwave-safe bowls.

1,000 Watts Cooking Power

Cook your favorite foods quickly and thoroughly with high power.

Additional Features

2-Speed Fan, 220 CFM Fan

Variable fan-speed settings provide the right amount of ventilation for every meal you prepare.

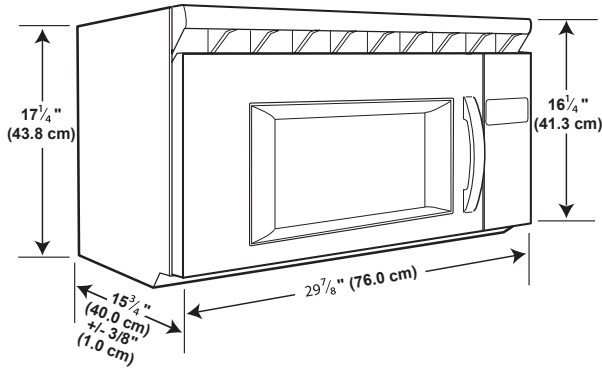
Whirlpool® Microwave Hood Combination

PRODUCT MODEL NUMBER

WMH31017A

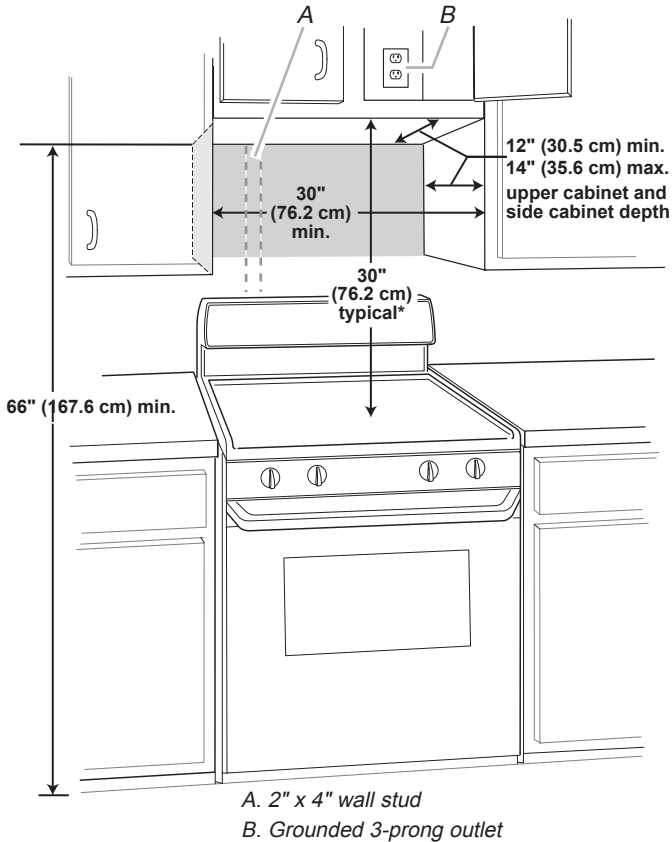
Electrical: A 120-Volt, 60-Hz, AC-only, 15- or 20-amp electrical supply with a fuse or circuit breaker. A time-delay fuse or time-delay circuit breaker is recommended. It is recommended that a separate circuit serving only this microwave oven be provided.

PRODUCT DIMENSIONS



CABINET OPENING DIMENSIONS

The grounded 3-prong outlet must be inside the upper cabinet.



*30" (76.2 cm) is typical for 66" (167.6 cm) installation height.
Exact dimensions may vary depending on type of range/cooktop below.

VENTING DESIGN SPECIFICATIONS

This section is intended for architectural designer and builder/contractor reference only.

NOTES:

- Vent materials needed for installation are not provided with microwave hood combination.
- We do not recommend using a flexible metal vent.
- To avoid possible product damage, be sure to vent air outside, unless using recirculation installation. Do not vent exhaust air into concealed spaces, such as spaces within walls or ceilings, attics, crawl spaces or garages.

For optimal venting installation, we recommend:

- using roof or wall caps that have back draft dampers
- using a rigid metal vent
- using the most direct route by minimizing the length of the vent and number of elbows to provide efficient performance
- using uniformly sized vents
- using duct tape to seal all joints in the vent system
- using caulking compound to seal exterior wall or roof opening around cap
- not installing 2 elbows together, for optimal hood performance

If venting through the wall, be sure that there is proper clearance within the wall for the damper to open fully.

If venting through the roof, and rectangular to round transition is used, be sure there is at least 3" (7.6 cm) of clearance between the top of the microwave oven and the transition piece.

