



Submittal

Project Name:	The Civic
Project Number:	14-016
Submittal Number:	11450-03-00
Description:	WDF520PADM Whirlpool Dishwasher
Sent Date:	9/17/2015

**Lingo Construction Services**  
 123 NW 8th Street  
 Oklahoma City, Oklahoma 73102



NO EXCEPTIONS TAKEN     REVISE AND RESUBMIT  
 APPROVED AS NOTED     OTHER

APPROVAL IS FOR DESIGN INTENT ONLY, SUBCONTRACTOR IS RESPONSIBLE FOR DIMENSIONS, QUANTITIES AND COORDINATION WITH OTHER TRADES. APPROVAL IS SUBJECT TO ALL CONTRACT REQUIREMENTS AND DOES NOT AUTHORIZE ANY CHANGES INVOLVING ADDITIONAL COST UNLESS STATED IN AN APPROVED SEPARATE DOCUMENT OR CHANGE ORDER.

*Kenneth Allman*                      09/17/2015  
 CHECKED BY                                      DATE

**Butzer Architects and Urbanism**  
 718 W. Sheridan Ave.  
 Oklahoma City, Oklahoma 73102

Engineer of Record



## Dishwasher with AnyWare™ Plus Silverware Basket

4.4

Make sure dishes come out clean. The AccuSense® soil sensor determines how dirty dishes are and adapts the Normal cycle as needed for customized cleaning. This ENERGY STAR® qualified dishwasher holds 14 place settings and cleans quietly at 55 dBA. It also provides more room for dishes in the lower rack with the AnyWare™ Plus silverware basket that sits in the door or on the front of the rack to free up rack space. You can count on this fast dishwasher to clean a lightly soiled load in half the time with the 1-Hour wash cycle. It's all from the brand that can say no one has fewer repairs 18 years in a row.

### AVAILABLE COLOR OPTIONS



Monochromatic Stainless Steel - WDF520PADM

## FEATURES

### Top Features

#### AccuSense® Soil Sensor

The AccuSense® soil sensor determines how dirty dishes are and adjusts the Normal cycle as needed to make sure dishes come out clean.

#### AnyWare™ Plus Silverware Basket

The AnyWare™ Plus silverware basket frees up rack space by easily fitting on the front of the lower rack or in the door to make room for more dishes.

#### 1-Hour Wash Cycle

The 1-Hour Wash option will get dishes clean in about half the time.

### Additional Features

No One Has Fewer Repairs 18 Years in a Row

According to a leading consumer magazine.

ENERGY STAR® Qualified

Heavy Cycle

Adds more time to the cycle to clean heavily soiled items.

High Temp Wash

**Sani Rinse Option**

**Heated Dry**

**Remembers Your Last Cycle**

**Soak And Clean Cycle**

This dishwasher remembers the last cycle you picked and automatically chooses it for you the next time.

**Designed, Engineered and Assembled in the U.S.A.  
with American Pride**

**Normal Cycle**

---

# Whirlpool® Undercounter Dishwasher

## PRODUCT MODEL NUMBERS

WDF110PAB	WDF510PAY	WDF730PAY
WDF111PAB	WDF520PAD	WDT710PAY
WDF310PAA	WDF530PAY	WDT720PAD
WDF310PCA	WDF530PLY	WDT770PAY
WDF310PLA	WDF530PSY	
WDF320PAD	WDF540PAD	

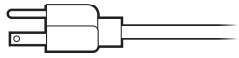
**Electrical Requirements:** 120-volt, 60-Hz, AC-only, 15- or 20-amp. fused electrical supply. Copper wire only. A timedelay fuse or circuit breaker and separate circuit is recommended.

**If direct wiring dishwasher:** Use flexible, armored or nonmetallic, sheathed copper wire with grounding wire that meets the wiring requirements for your home and local codes and ordinances. Use a U.L.-listed or CSA-approved conduit connector.



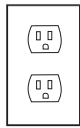
**If connecting dishwasher with a power supply cord:**

Use Power Supply Cord Kit (Part No. 4317824) marked for use with dishwashers. Follow the kit



instructions for installing the power supply cord.

Power supply cord must plug into a grounded three-prong, outlet, located in the cabinet next to the dishwasher opening. Outlet must meet all local codes and ordinances.



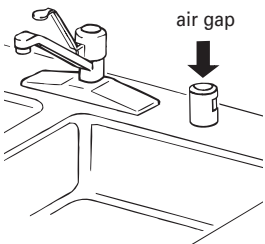
**Water Supply Requirements:** A hot water line with 20 to 120 psi (138 to 862 kPa) water pressure. Water temperature must be 120°F (49°C) water at dishwasher. Use 3/8" O.D. copper tubing with compression fitting or flexible braided water supply line (1/2" minimum plastic tubing is not recommended). Use a 90° elbow with 3/4" N.P.T. external pipe threads on one end. Do not solder within 6" (15.2 cm) from water inlet valve.

**Drain Requirements:** A new drain hose is supplied with your dishwasher. If this is not long enough, use a new drain hose with a maximum length of 12' (3.7 m) (Part No. 3385556) that meets all current AHAM/IAPMO test standards, is resistant to heat and detergent, and fits the 1" (2.5 cm) drain connector of the dishwasher.

Make sure to connect the drain hose to waste tee or disposer inlet above drain trap in house plumbing and 20" (50.8 cm) minimum above the floor. It is recommended

that the drain hose either be looped up and securely fastened to the underside of the counter, or be connected to an air gap.

Make sure to use an air gap if the drain hose is connected to house plumbing lower than 20" (50.8 cm) above subfloor or

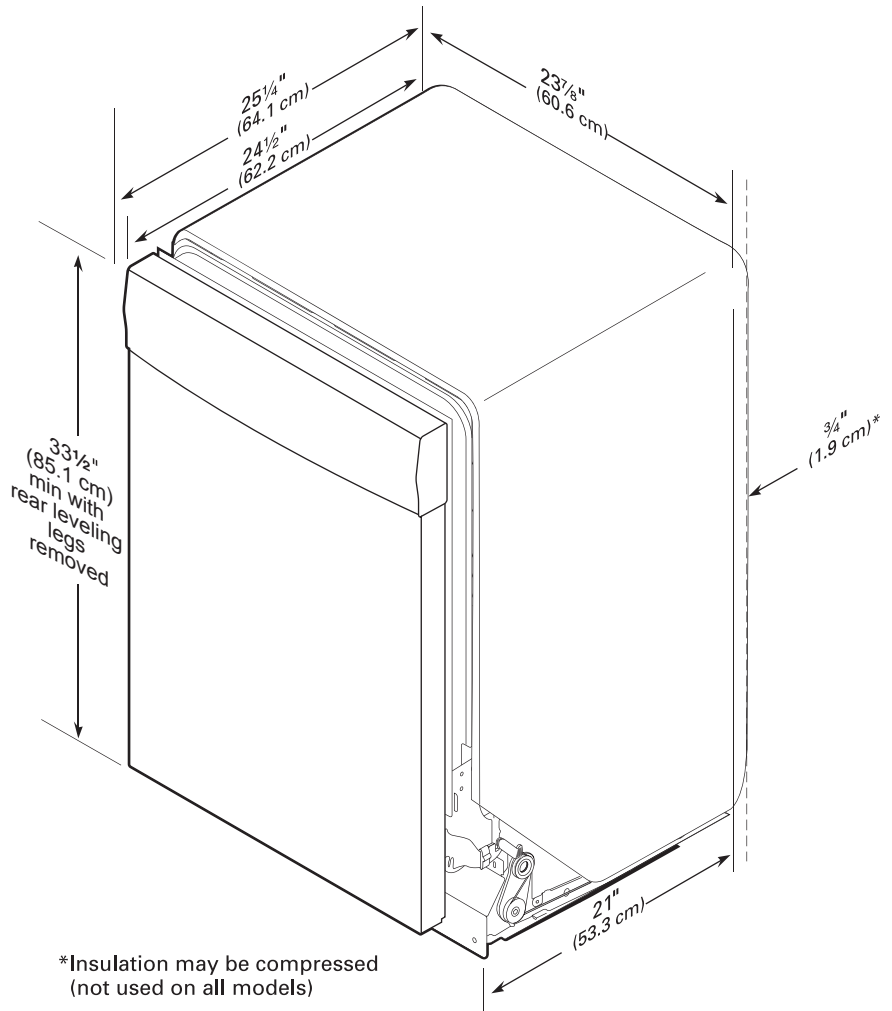


floor.

Use 1/2" (1.3 cm) minimum I.D. drain line fittings.

If required, the air gap should be installed in accordance with the air gap installation instructions. When connecting the air gap a rubber hose (not provided) will be needed to connect to the waste tee or disposer inlet.

## PRODUCT DIMENSIONS



\*Insulation may be compressed (not used on all models)

## CABINET CUTOUT DIMENSIONS

**NOTE:** Shaded areas of cabinet walls show where utility connections may be installed.

\*Measure from the lowest point on the underside of the countertop. May be reduced to 33½" (85.1 cm) by removing the rear leveling legs from dishwasher.

\*\*Minimum, measured from narrowest point of opening.

